

Modular Cooking Range Line 900XP 2-hot plate (4 kW each) electric boiling top - Marine



391180 (E9ECMD2Q05)

2-Hot Plate (4 kW each)
 electric Boiling Top - marine

391181 (E9ECMD2Q06)

2-Hot Plate (4 kW each)
 electric Boiling Top - marine

Short Form Specification

Item No. _____

To be installed on open base installations, bridging supports or cantilever systems. Two 4 kW square cast-iron hot plates hermetically sealed to the one-piece top. Exterior panels of unit in stainless steel with Scotch Brite finish. Extra strength work top in heavy duty 2 mm stainless steel. Right-angled side edges to allow flush-fitting junction between units.

Main Features

- Top configuration allows installation on ambient base only (not possible to install on refrigerated nor freezer base).
- IPX5 water protection.
- The special design of the control knob system guarantees against water infiltration.
- Unit to be mounted on open base cupboards, bridging supports or cantilever systems.
- The two 4kW cast-iron plates are hermetically sealed to the one-piece top. Hot plates with a power of 4kW for each plate.

Construction

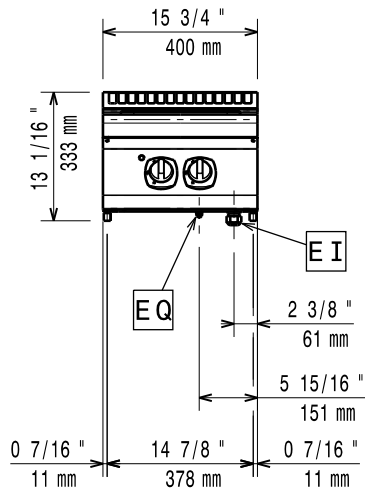
- Model has right-angled side edges to allow flush fitting joints between units, eliminating gaps and possible dirt traps.
- AISI 304 stainless steel worktop, 2mm thick.
- All exterior panels in Stainless Steel with Scotch Brite finishing.
- Unit is 930 mm deep to give a larger working surface area.

APPROVAL: _____

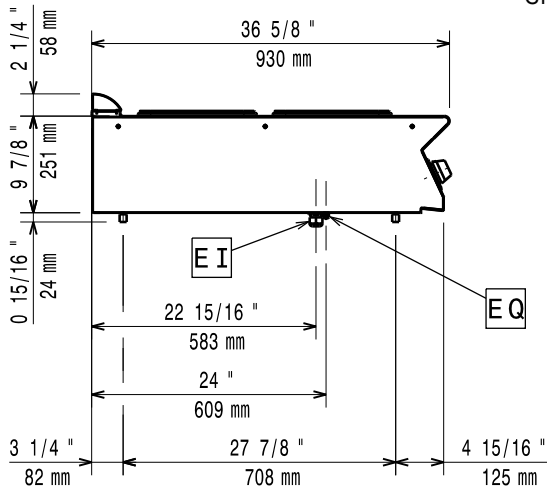
Optional Accessories

- Pair of cast iron plate bars for electric cooking top PNC 206056
- Junction sealing kit PNC 206086
- Support for bridge type installation, 800mm PNC 206137
- Support for bridge type installation, 1000mm PNC 206138
- Support for bridge type installation, 1200mm PNC 206139
- Support for bridge type installation, 1400mm PNC 206140
- Support for bridge type installation, 1600mm PNC 206141
- Support for bridge type installation, 400mm PNC 206154
- Front/rear handrail PNC 206267
- Water column with swivel arm (water column extension not included) PNC 206289
- Water column extension for 900 line PNC 206290
- Frontal handrail, 1200mm - Marine PNC 206292
- Chimney upstand, 400mm PNC 206303
- Back handrail 800 mm PNC 206308
- Back handrail 1200 mm PNC 206309
- Chimney grid net, 400mm (700XP/900) PNC 206400
- Side handrail-right/left hand (900XP) PNC 216044
- Frontal handrail, 400mm PNC 216046
- Frontal handrail, 800mm PNC 216047
- Frontal handrail, 1200mm PNC 216049
- Frontal handrail, 1600mm PNC 216050
- Large handrail - portioning shelf, 400mm PNC 216185
- Large handrail - portioning shelf, 800mm PNC 216186
- 2 side covering panels for top appliances PNC 216278

Front

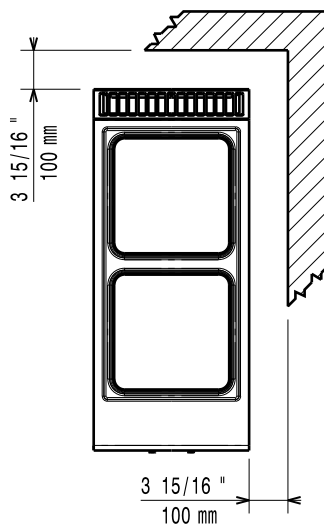


Side



EI = Electrical inlet (power)
 EQ = Equipotential screw

Top



Electric

Supply voltage:

391180 (E9ECMD2Q05)	400 V/3 ph/50/60 Hz
391181 (E9ECMD2Q06)	440 V/3 ph/50/60 Hz

Electrical power max.:

8 kW

Key Information:

Platen front, vermogen	4 kW
Platen achter, vermogen	4 kW
Platen front, afmetingen	300x300 mm
Platen achter, afmetingen	300x300 mm
External dimensions, Width:	400 mm
External dimensions, Depth:	930 mm
External dimensions, Height:	250 mm
Net weight:	
391180 (E9ECMD2Q05)	30 kg
391181 (E9ECMD2Q06)	35 kg
Certification group:	N9CE1
Waterproof index:	IPX5