

Food Processor Cutter Mixer 3.5 LT - Single Speed



603842 (K35YAUS)

Cutter mixer 3,5 lt capacity, 1 speed 1500 rpm. Supplied with finely toothed blade rotor and stainless steel bowl (Australia)

Short Form Specification

Item No. _____

Robust cutter for liquidising, mixing and mincing in a matter of seconds. AISI 302 stainless steel 3,5 litre bowl. Lid incorporates opening to add ingredients in mid-cycle. Transparent cover incorporates a magnetic contact safety system. Finely toothed blade rotor. Angled blades and conical base of the bowl ensure consistent mixing. Parts in contact with food are removable and dw safe. 1 speed rotor: 1500 rpm.

APPROVAL: _____

Main Features

- Robust cutter allows fast liquidizing, mixing, mincing and chopping.
- Angled blades and conical base of the bowl ensure consistent mixing.
- Lid with central opening to add ingredients in mid-cycle.
- Delivered with:
-3,5 lt stainless steel bowl with finely toothed blades rotor
- Parts in contact with food are removable and dishwasher safe.
- Pulse function to coarse chopping.
- Productivity suitable for 10-50 meals per service.

Construction

- 302 AISI stainless steel bowl is positioned on the central shaft. Bowl supplied with a leak resistant spout.
- Speed motor: 1.500 rpm.
- Transparent lid incorporates a magnetic contact safety system.

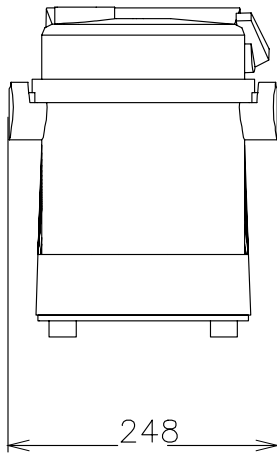
Included Accessories

- 1 of Finely toothed blade rotor for 3,5 lt cutter mixer PNC 653028
- 1 of Stainless steel bowl for 3,5 lt cutter mixer PNC 653096

Optional Accessories

- Finely toothed blade rotor for 3,5 lt cutter mixer PNC 653028
- Smooth blade rotor for 3,5 lt cutter mixer PNC 653029
- Stainless steel bowl for 3,5 lt cutter mixer PNC 653096

Front


Electric
Supply voltage:

603842 (K35YAUS) 220-240 V/1N ph/50 Hz

Electrical power max.: 0.5 kW

Total Watts: 0.5 kW

Capacity:
Performance (up to): 1.8 - kg/Cycle

Capacity: 3.5 litres

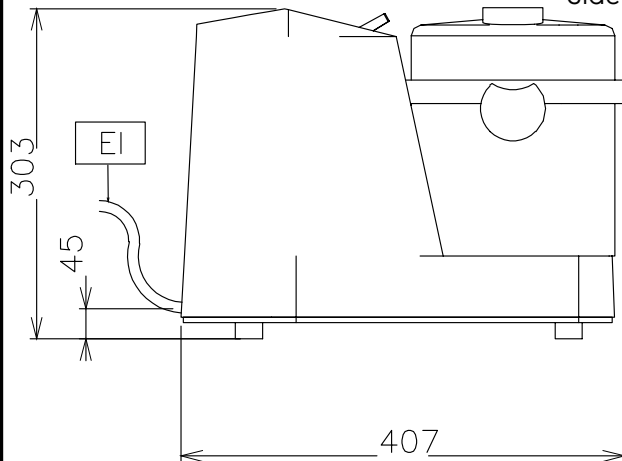
Key Information:
External dimensions, Width: 247 mm

External dimensions, Height: 303 mm

External dimensions, Depth: 407 mm

Shipping weight: 17 kg

Side



EI = Electrical inlet (power)

Top

