

Washer extractor

WN6-28 Compass Pro



Washer featuring exceptional savings and effortless use



Priority on people

Certified ergonomic design with a human-centered approach for an outstanding user experience

Compass Pro® microprocessor offers:

- Easy program selection
- Language selection
- Quick selection and option buttons for the most frequently used wash programs and options
- Wash program packages optimized on Economy, Performance and Time



Long-term savings

Extremely low water and energy consumption – see table below

- High extraction force for efficient dewatering
- Super Balance guarantees the correct extraction force



Pure control

Monitoring of the status of the equipment and performance from anywhere, allowing to take action to improve the business

- Washers connectable to OnE Laundry, the personal assistant for hygiene validation, process management and revenue management



Global Advanced Hygiene

Global Advanced Hygiene program package* with proven log 6 reduction** disinfection of textiles through the laundry process, fulfilling the criteria of all local approved standards

Main options

- Automatic liquid detergent supply (optional I/O board)
- Connection to booking- /payment- system or coin meter



Images shown are a representation of the product only and variations may occur.

* Programs available in the standard library of all products, excluding products for specific segments where water temperature is not controllable.

** Log 6 reduction equals to 99,9999% viral infectivity reduction. The efficacy of reduction of SARS-CoV-2 and other pathogens in the process is confirmed by RISE (The Research Institute of Sweden) on the basis of Electrolux Professional laboratory data.

Main specifications			WN6-28			
Rated capacity, filling factor 1:9	kg/lb		28/62			
Drum, volume	litre		250			
	diameter	ø mm	725			
Extraction		rpm	566			
G-factor			130			
Standard heating alternatives	electricity	kW	18.0			
	steam		x			
	non-heated		x			
Consumption data "Normal 60°C"			EI		Steam***	
Total time	min		Full load, 28 kg	Half load, 14 kg	Full load, 28 kg	Half load, 14 kg
Water consumption (cold+hot)	litre		49	46	49	46
Energy consumption (motor/heating/hot water)	kWh		159+47	131+31	206+0	162+0
Steam consumption	kg		0.3/1.35/3.0	0.3/0.9/2.0	0.3/-	0.3/-
Residual moisture	%		-	-	6.5	4.35
			65	74	65	74

* Water temperature 15°C cold water and 65°C hot water.

** Programs with AS.

*** Depending on steam pressure.

Electrical connections					
Heating alternative	Main voltage		Heating power kW	Total power kW	Recommended fuse A
	Hz				
Electric heated	220-240V 3 -	50/60	18.0	18.8	50
	380-415V 3/3N -	50/60	18.0	18.8	32
	440V 3 -	50/60	18.0	18.8	32
	480V 3 -	60	18.0	18.8	25
Steam or Non heated	208-240V 1/1N -	50/60	*	1.1	10
	380-480V 1 - (**)	50/60	*	1.1	10

* Total power and recommended fuse does not depend on the heating power in those cases.

** Prepared for 3 -.

Water and steam connection		WN6-28
Water valves	DN	20
Water pressure	kPa	200-600
Capacity at 300 kPa	l/min	60
Drain valve	ø mm	75
Draining capacity	l/min	170
Steam valve	DN	15
Steam pressure	kPa	300-600
Liquid detergent supplies		5

Floor requirements		
Frequency of the dynamic force	Hz	8.3
Floor load at max extraction	kN	3.8 ± 4.9

Sound levels		
Sound power/pressure level at extraction*	dB(A)	70/54
Sound power/pressure level at wash*	dB(A)	66/50

Heat emission		
% of installed power, max		5

Shipping data**		
Weight	net, kg	262
Shipping volume	m ³	1.66

Accessories		
Steel base		x
Hose kits for water or steam		x
Fluff collector		x

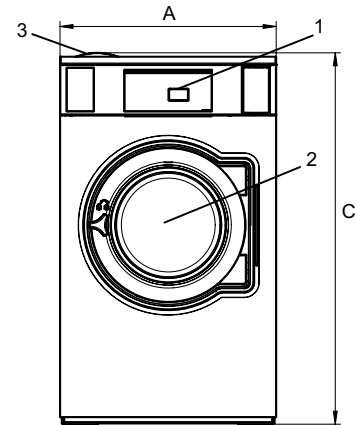
Dimensions in mm		
A	Width	830
B	Depth	1030
C	Height	1430
D1		470
D2		550
E		1590
F		1135
G		80
H		1330
I		325
J		245
K		1290
L		1205
M		280
N		105
O		265
P		160

1	Operating panel	7	Drain valve
2	Door opening ø 435 mm	8	Liquid detergent supply
3	Detergent box	9	Electrical connection
4	Cold water	10	Steam connection
5	Hot water		
6	Re-used water		

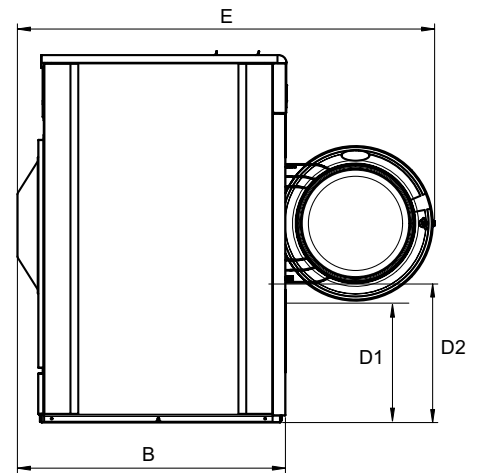
Front and side panels in silver grey and dark blue (color samples can be ordered on part number 472998313).

* Sound power levels measured according to ISO 60704.

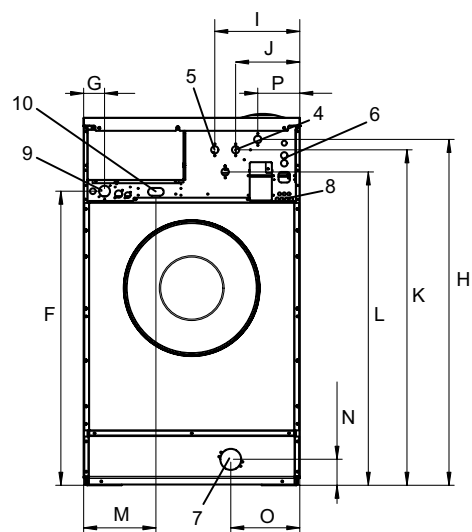
** Average data. Crated weight/shipping volume depends on configuration. Please contact logistics for exact measures.



Front



Side view



Rear